



# BC-40 WINCH SPEED GUARANTEED



Improve operations while keeping your wire rope. Upgrade with the Patterson BC-40 Winch. Take the first step in modernizing your rigging, while also eliminating ratchet problems.

The BC-40 has long been a favorite among barge operators for its unrivaled speed. A spinner knob on the compact hand wheel allows fast take-up, and the heavy-duty throw-out handle makes quick load release easy and safe. The BC-40's design lets you make up or break up a tow in half the time of conventional rigging using ratchets, chains, and wires. That saves you time (and money).

## Key Features

Fast Take-Up

Galvanized Corrosion Package

Easy to Use and Economical

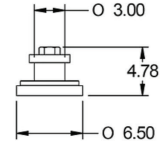
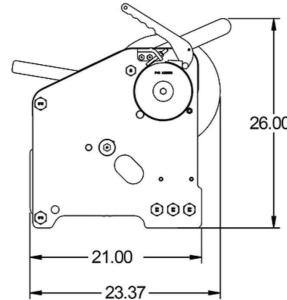
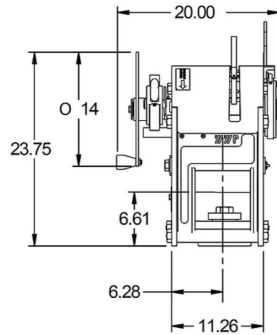
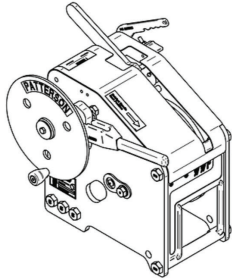
## Performance Data

Model	WWP40BC
<b>DRUM CAPACITY, 3/4"</b>	95'
<b>DRUM CAPACITY, 7/8"</b>	85'
<b>DRUM CAPACITY, 1"</b>	70'
<b>OVERALL WIDTH</b>	19.375"
<b>OVERALL HEIGHT</b>	23.75"
<b>OVERALL LENGTH</b>	23.3125"
<b>NET WEIGHT</b>	442 lbs
<b>ULTIMATE CAPACITY</b>	80,000 lbs
<b>TYPICAL LINE TENSION</b>	10,000 lbs

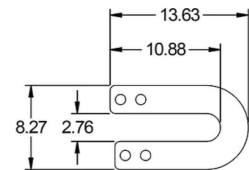
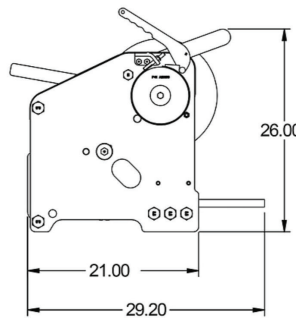
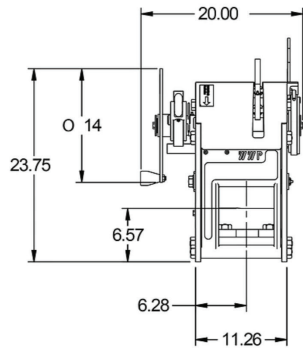
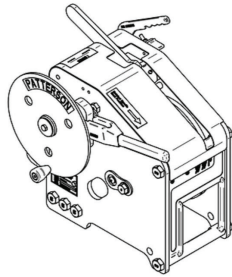
[Mounting Configurations >](#)

## BC-40 WINCH MOUNTING CONFIGURATIONS

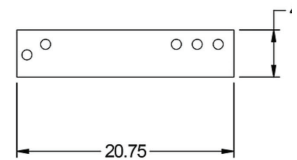
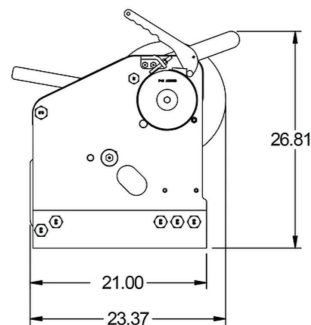
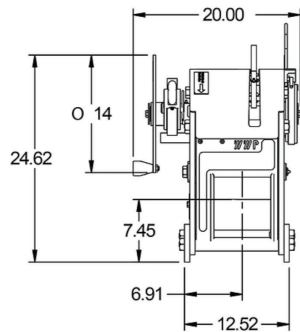
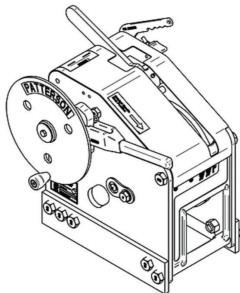
### BC-40 SWIVEL



### BC-40 D-RING



### BC-40 WELD DOWN



### BC-40 WELD DOWN WITH DOUBLER

